

SPHERICAL BUSHINGS

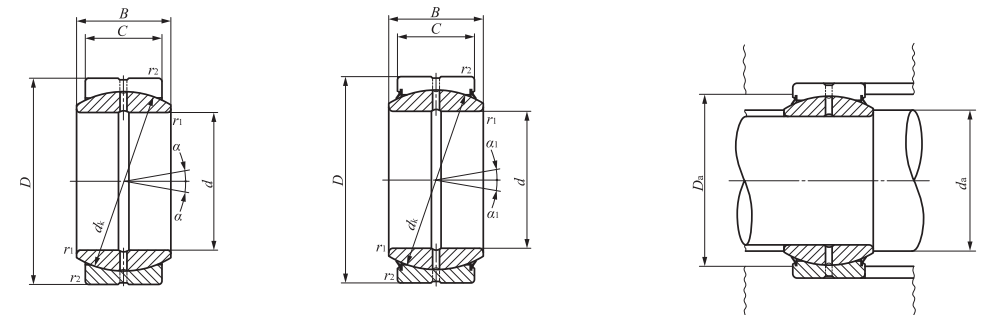
Steel-on-steel Spherical Bushings



Shaft dia. 110 – 300mm

Shaft dia. mm	Identification number		Mass (Ref.) kg	Boundary dimensions mm							Permissible tilting angle degree	
	Without seals	With seals		d	D	B	C	d_k	$r_{1s \min}^{(1)}$	$r_{2s \min}^{(1)}$	α	α_1
110	GE 110ES	GE 110ES-2RS	4.94	110	160	70	55	140	1	1	6	4
120	GE 120ES	GE 120ES-2RS	8.12	120	180	85	70	160	1	1	6	4
140	GE 140ES	GE 140ES-2RS	11.4	140	210	90	70	180	1	1	7	5
160	GE 160ES	GE 160ES-2RS	14.4	160	230	105	80	200	1	1	8	6
180	GE 180ES	GE 180ES-2RS	18.9	180	260	105	80	225	1.1	1.1	6	5
200	GE 200ES	GE 200ES-2RS	28.1	200	290	130	100	250	1.1	1.1	7	6
220	GE 220ES	GE 220ES-2RS	36.1	220	320	135	100	275	1.1	1.1	8	6
240	GE 240ES	GE 240ES-2RS	40.4	240	340	140	100	300	1.1	1.1	8	6
260	GE 260ES	GE 260ES-2RS	52.0	260	370	150	110	325	1.1	1.1	7	6
280	GE 280ES	GE 280ES-2RS	66.0	280	400	155	120	350	1.1	1.1	6	5
300	GE 300ES	GE 300ES-2RS	76.0	300	430	165	120	375	1.1	1.1	7	6

Notes⁽¹⁾ Minimum allowable value of chamfer dimensions r_1 and r_2
⁽²⁾ When Spherical Bushings are used with full tilting angle, the shaft shoulder dimension must be less than the maximum value of d_a .
 Remarks1. The inner ring and the outer ring have an oil groove and two oil holes, respectively.
 2. No grease is prepacked. Perform proper lubrication.



GE...ES

GE...ES-2RS

Mounting dimensions mm				Dynamic load capacity C_d N	Static load capacity C_s N
Min.	d_a Max. ⁽²⁾	D_a Max.	Min.		
115.5	121	154.5	138	755 000	4 530 000
125.5	135.5	174.5	154	1 100 000	6 590 000
145.5	155.5	204.5	176	1 240 000	7 410 000
165.5	170	224.5	195	1 570 000	9 410 000
187	199	253	221	1 770 000	10 600 000
207	213.5	283	244	2 450 000	14 700 000
227	239.5	313	269	2 700 000	16 200 000
247	265	333	296	2 940 000	17 700 000
267	288	363	320	3 510 000	21 000 000
287	313.5	393	345	4 120 000	24 700 000
307	336.5	423	371	4 410 000	26 500 000